

DATA SHEET

For a complete data sheet, please also download:

- The IC06 74HC/HCT/HCU/HCMOS Logic Family Specifications
- The IC06 74HC/HCT/HCU/HCMOS Logic Package Information
- The IC06 74HC/HCT/HCU/HCMOS Logic Package Outlines

74HC/HCT164

8-bit serial-in/parallel-out shift register

Product specification
File under Integrated Circuits, IC06

December 1990

8-bit serial-in/parallel-out shift register

74HC/HCT164

FEATURES

- Gated serial data inputs
- Asynchronous master reset
- Output capability: standard
- I_{CC} category: MSI

GENERAL DESCRIPTION

The 74HC/HCT164 are high-speed Si-gate CMOS devices and are pin compatible with low power Schottky TTL (LSTTL). They are specified in compliance with JEDEC standard no. 7A.

The 74HC/HCT164 are 8-bit edge-triggered shift registers with serial data entry and an output from each of the eight stages.

Data is entered serially through one of two inputs (D_{sa} or D_{sb}); either input can be used as an active HIGH enable for data entry through the other input.

Both inputs must be connected together or an unused input must be tied HIGH.

Data shifts one place to the right on each LOW-to-HIGH transition of the clock (CP) input and enters into Q₀, which is the logical AND of the two data inputs (D_{sa}, D_{sb}) that existed one set-up time prior to the rising clock edge.

A LOW level on the master reset (\overline{MR}) input overrides all other inputs and clears the register asynchronously, forcing all outputs LOW.

QUICK REFERENCE DATA

GND = 0 V; T_{amb} = 25 °C; t_r = t_f = 6 ns

SYMBOL	PARAMETER	CONDITIONS	TYPICAL		UNIT
			HC	HCT	
t _{PHL} / t _{PLH}	propagation delay CP to Q _n \overline{MR} to Q _n	C _L = 15 pF; V _{CC} = 5 V	12	14	ns
			11	16	ns
f _{max}	maximum clock frequency		78	61	MHz
C _I	input capacitance		3.5	3.5	pF
C _{PD}	power dissipation capacitance per package	notes 1 and 2	40	40	pF

Notes

1. C_{PD} is used to determine the dynamic power dissipation (P_D in μW):

$$P_D = C_{PD} \times V_{CC}^2 \times f_i + \sum (C_L \times V_{CC}^2 \times f_o) \text{ where:}$$

f_i = input frequency in MHz

f_o = output frequency in MHz

∑ (C_L × V_{CC}² × f_o) = sum of outputs

C_L = output load capacitance in pF

V_{CC} = supply voltage in V

2. For HC the condition is V_I = GND to V_{CC}
For HCT the condition is V_I = GND to V_{CC} - 1.5 V

ORDERING INFORMATION

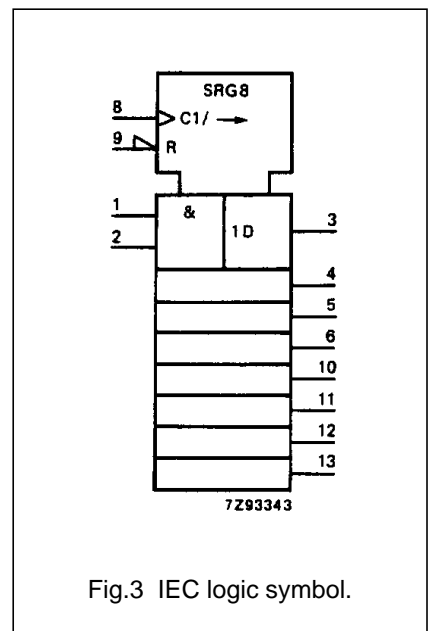
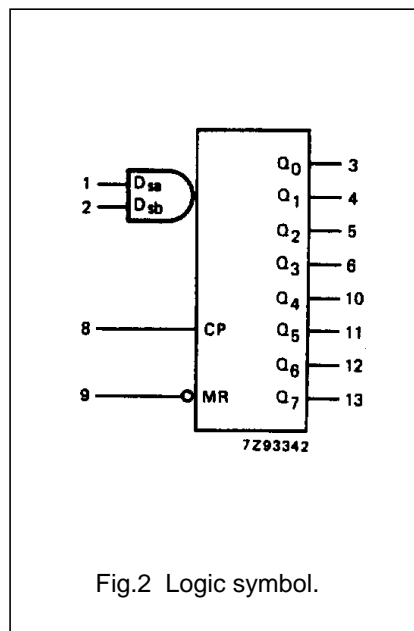
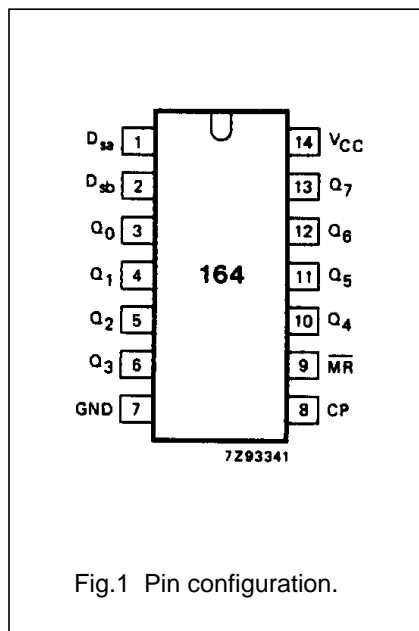
See "74HC/HCT/HCU/HCMOS Logic Package Information".

8-bit serial-in/parallel-out shift register

74HC/HCT164

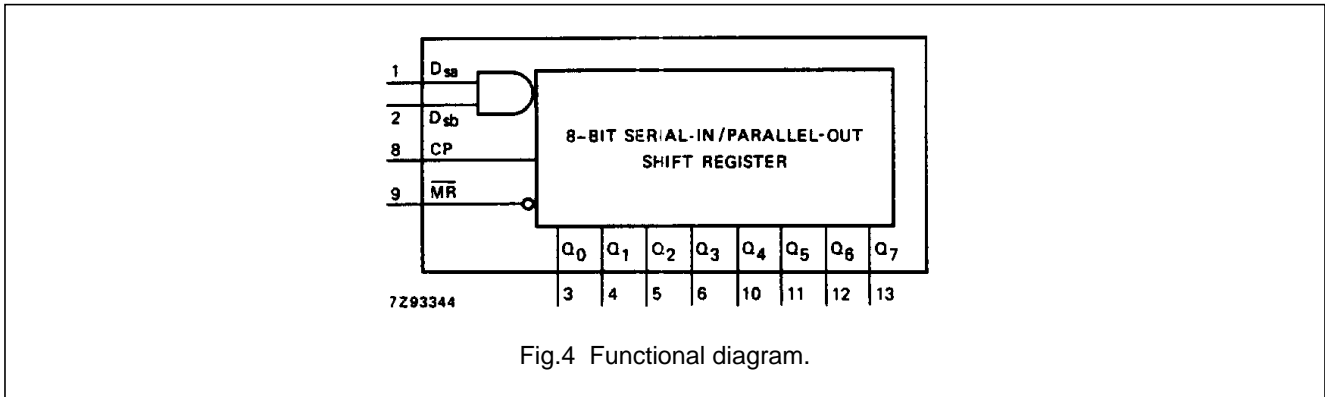
PIN DESCRIPTION

PIN NO.	SYMBOL	NAME AND FUNCTION
1, 2	D_{sa}, D_{sb}	data inputs
3, 4, 5, 6, 10, 11, 12, 13	Q_0 to Q_7	outputs
7	GND	ground (0 V)
8	CP	clock input (LOW-to-HIGH, edge-triggered)
9	\overline{MR}	master reset input (active LOW)
14	V_{CC}	positive supply voltage



8-bit serial-in/parallel-out shift register

74HC/HCT164



APPLICATIONS

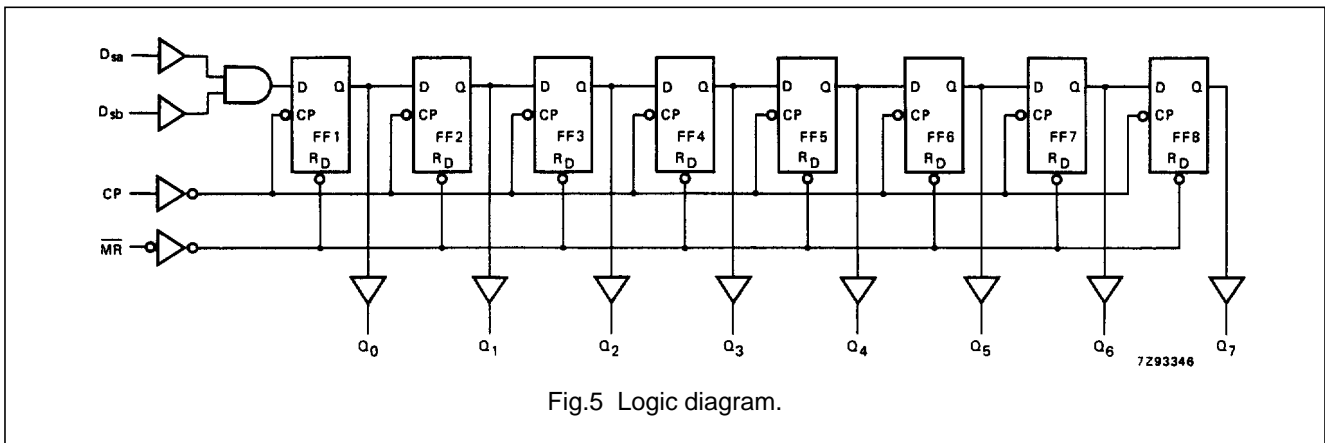
- Serial data transfer

FUNCTION TABLE

OPERATING MODES	INPUTS				OUTPUTS	
	\overline{MR}	CP	D _{sa}	D _{sb}	Q ₀	Q ₁ – Q ₇
reset (clear)	L	X	X	X	L	L – L
shift	H	↑	l	l	L	Q ₀ – Q ₆
	H	↑	l	h	L	Q ₀ – Q ₆
	H	↑	h	l	L	Q ₀ – Q ₆
	H	↑	h	h	H	Q ₀ – Q ₆

Note

- H = HIGH voltage level
 h = HIGH voltage level one set-up time prior to the LOW-to-HIGH clock transition
 L = LOW voltage level
 l = LOW voltage level one set-up time prior to the LOW-to-HIGH clock transition
 q = lower case letters indicate the state of the referenced input one set-up time prior to the LOW-to-HIGH clock transition
 ↑ = LOW-to-HIGH clock transition



8-bit serial-in/parallel-out shift register

74HC/HCT164

DC CHARACTERISTICS FOR 74HC

For the DC characteristics see *"74HC/HCT/HCU/HCMOS Logic Family Specifications"*.

Output capability: standard

I_{CC} category: MSI

AC CHARACTERISTICS FOR 74HC

GND = 0 V; t_r = t_f = 6 ns; C_L = 50 pF

SYMBOL	PARAMETER	T _{amb} (°C)						UNIT	TEST CONDITIONS		
		74HC							V _{CC} (V)	WAVEFORMS	
		+25			-40 to +85		-40 to +125				
		min.	typ.	max.	min.	max.	min.				max.
t _{PHL} / t _{PLH}	propagation delay CP to Q _n		41 15 12	170 34 29		215 43 37		255 51 43	ns	2.0 4.5 6.0	Fig.6
t _{PHL}	propagation delay MR to Q _n		39 14 11	140 28 24		175 35 30		210 42 36	ns	2.0 4.5 6.0	Fig.6
t _{THL} / t _{TLH}	output transition time		19 7 6	75 15 13		95 19 16		110 22 19	ns	2.0 4.5 6.0	Fig.6
t _w	clock pulse width HIGH or LOW	80 16 14	14 5 4		100 20 17		120 24 20		ns	2.0 4.5 6.0	Fig.6
t _w	master reset pulse width; LOW	60 12 10	17 6 5		75 15 13		90 18 15		ns	2.0 4.5 6.0	Fig.6
t _{rem}	removal time MR to CP	60 12 10	17 6 5		75 15 13		90 18 15		ns	2.0 4.5 6.0	Fig.6
t _{su}	set-up time D _{sa} , D _{sb} to CP	60 12 10	8 3 2		75 15 13		90 18 15		ns	2.0 4.5 6.0	Fig.6
t _h	hold time D _{sa} , D _{sb} to CP	4 4 4	-6 -2 -2		4 4 4		4 4 4		ns	2.0 4.5 6.0	Fig.6
f _{max}	maximum clock pulse frequency	6 30 35	23 71 85		5 24 28		4 20 24		MHz	2.0 4.5 6.0	Fig.6

8-bit serial-in/parallel-out shift register

74HC/HCT164

DC CHARACTERISTICS FOR 74HCT

For the DC characteristics see *"74HC/HCT/HCU/HCMOS Logic Family Specifications"*.

Output capability: standard

I_{CC} category: MSI

Note to HCT types

The value of additional quiescent supply current (ΔI_{CC}) for a unit load of 1 is given in the family specifications. To determine ΔI_{CC} per input, multiply this value by the unit load coefficient shown in the table below.

INPUT	UNIT LOAD COEFFICIENT
D _{sa} , D _{sb}	0.25
CP	0.60
\overline{MR}	0.90

AC CHARACTERISTICS FOR 74HCT

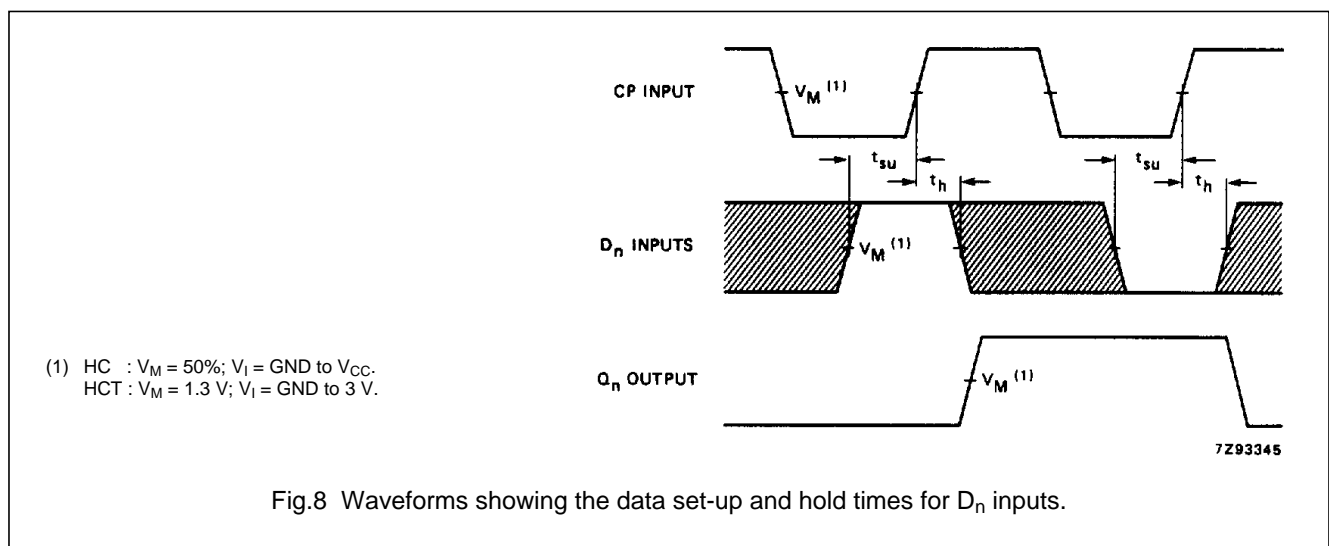
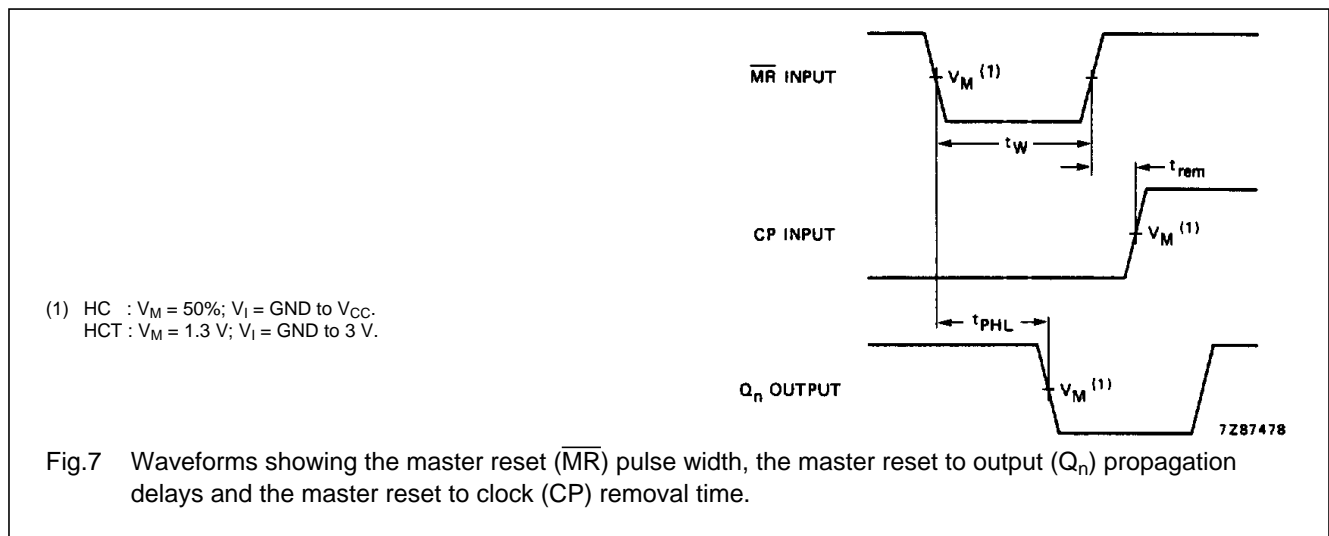
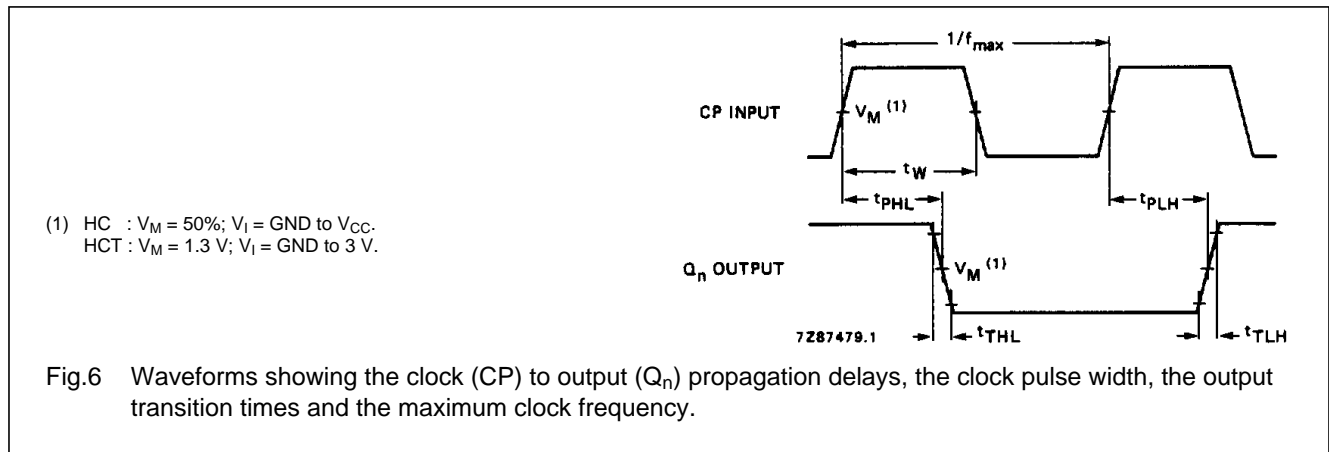
GND = 0 V; t_r = t_f = 6 ns; C_L = 50 pF

SYMBOL	PARAMETER	T _{amb} (°C)								UNIT	TEST CONDITIONS	
		74HCT									V _{CC} (V)	WAVEFORMS
		+25			-40 to +85		-40 to +125					
		min.	typ.	max.	min.	max.	min.	max.				
t _{PHL} / t _{PLH}	propagation delay CP to Q _n		17	36		45		54	ns	4.5	Fig.6	
t _{PHL}	propagation delay \overline{MR} to Q _n		19	38		48		57	ns	4.5	Fig.6	
t _{THL} / t _{TLH}	output transition time		7	15		19		22	ns	4.5	Fig.6	
t _W	clock pulse width HIGH or LOW	18	7		23		27		ns	4.5	Fig.6	
t _W	master reset pulse width; LOW	18	10		23		27		ns	4.5	Fig.6	
t _{rem}	removal time \overline{MR} to CP	16	7		20		24		ns	4.5	Fig.6	
t _{su}	set-up time D _{sa} , D _{sb} to CP	12	6		15		18		ns	4.5	Fig.6	
t _h	hold time D _{sa} , D _{sb} to CP	4	-2		4		4		ns	4.5	Fig.6	
f _{max}	maximum clock pulse frequency	27	55		22		18		MHz	4.5	Fig.6	

8-bit serial-in/parallel-out shift register

74HC/HCT164

AC WAVEFORMS



8-bit serial-in/parallel-out shift register

74HC/HCT164

PACKAGE OUTLINES

See *"74HC/HCT/HCU/HCMOS Logic Package Outlines"*.

This datasheet has been download from:

www.datasheetcatalog.com

Datasheets for electronics components.